



WESTON

RECONNECT WITH REAL FOOD

WESTON

STAINLESS STEEL 20 LB CAPACITY MANUAL

MEAT MIXER

LE INVITAMOS A LEER CUIDADOSAMENTE ESTE INSTRUCTIVO ANTES DE USAR SU APARATO.

DUE TO CONSTANT FACTORY IMPROVEMENTS, THE PRODUCT PICTURED MIGHT DIFFER SLIGHTLY FROM THE PRODUCT IN THIS BOX.

TABLE OF CONTENTS / ÍNDICE / TABLE DES MATIÈRES

IMPORTANT SAFEGUARDS	3
COMPONENT LIST	4
CLEANING INSTRUCTIONS	5
ASSEMBLY INSTRUCTIONS	5-6
USING THE MEAT MIXER	7
FOOD SAFETY	8
WESTON WARRANTY INFORMATION	10
SALVAGUARDIAS IMPORTANTES	12
LISTA DE COMPONENTES	13
INSTRUCCIONES DE LIMPIEZA	14
INSTRUCCIONES DE MONTAJE	14-15
USANDO EL MEZCLADOR DE CARNE	16
SEGURIDAD DE LOS ALIMENTOS	17
INFORMACIÓN DE GARANTÍA WESTON	18
PRÉCAUTIONS IMPORTANTES	20
DESCRIPTION DE LA PIÈCE	21
INSTRUCTIONS DE NETTOYAGE	22
INSTRUCTIONS DE MONTAGE	22-23
VOUS UTILISEZ LA CONSOLE DE VIANDE	24
SÉCURITÉ ALIMENTAIRE	25
INFORMATION SUR LA GARANTIE	27

IMPORTANT SAFEGUARDS

When using electrical appliances, basic safety precautions should always be followed to reduce the risk of fire, electric shock, and/or injury to persons, including the following:

1. Read all instructions.
2. This appliance is not intended for use by persons with reduced physical, sensory, or mental capabilities, or lack of experience and knowledge, unless they are closely supervised and instructed concerning use of the appliance by a person responsible for their safety.
3. This appliance shall not be used by children. Keep the appliance out of reach of children.
4. Close supervision is necessary when any appliance is used near children. Children should be supervised to ensure that they do not play with the appliance.
5. Keep fingers and hands away from the Mixing Shaft and Paddles during use.
6. Never use the Meat Mixer without the Clear Lid in place.
7. Always remove the Handle from the Meat Mixer when not in use.
8. Thoroughly inspect the Meat Mixer before each use. If any parts are missing, damaged or do not function properly, contact customer service at the number listed on the back of this manual.
9. Do not mix bones or other hard objects that could damage the Mixing Shaft.
10. Do not use appliance for other than intended purpose.
11. Only use the Meat Mixer on a stable, level surface. The Meat Mixer should not move or shift during use.
12. Tie back loose hair and clothing, roll up long sleeves and remove ties and jewelry including watches, rings and bracelets before operating the Meat Mixer.
13. Thoroughly wash all Meat Mixer parts that contact food in warm, soapy water before and after each use. Rinse with clear water. Dry all parts before re-assembly and storage. The Meat Mixer is not dishwasher safe. It is best to use a food-grade silicone spray to coat all metal parts.

SAVE THESE INSTRUCTIONS

COMPONENT LIST

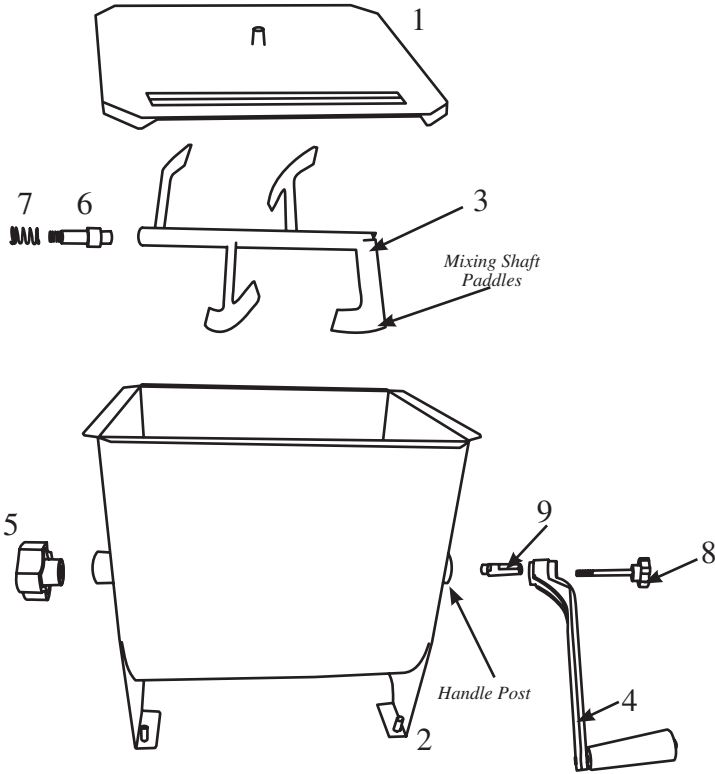


DIAGRAM NUMBER	PART DESCRIPTION
1	CLEAR LID
2	RUBBER FEET (4)
3	MIXING SHAFT/PADDLES
4	HANDLE
5	PIVOT KNOB
6	PIVOT PIN
7	PIVOT SPRING
8	HANDLE RETAINING KNOB
9	HANDLE PIVOT PIN

If any components of this unit are broken, the unit does not operate properly or you need a replacement instruction manual, visit us on the web at

WestonBrands.com

Or call Weston Brands, LLC Toll Free at **1-800-814-4895**
 Monday thru Friday 8:00am-5:00pm ET. Outside the U.S. call 1-216-901-6801

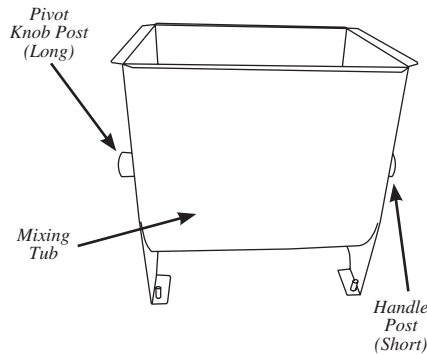
CLEANING INSTRUCTIONS

1. Completely disassemble the Meat Mixer.
2. Before and after each use, thoroughly wash all Meat Mixer parts that contact food in warm, soapy water.
3. Rinse with clear water.
4. Thoroughly dry all parts. Coat all metal parts with a food-grade silicone spray before re-assembly and storage.

NOTE: The Meat Mixer is NOT dishwasher safe.

ASSEMBLY INSTRUCTIONS

FIGURE 1



1. Place the Mixing Tub on a stable, level surface with the Pivot Knob Post (longer post) on your left and the Handle Post (shorter post) on your right. **FIGURE 1**

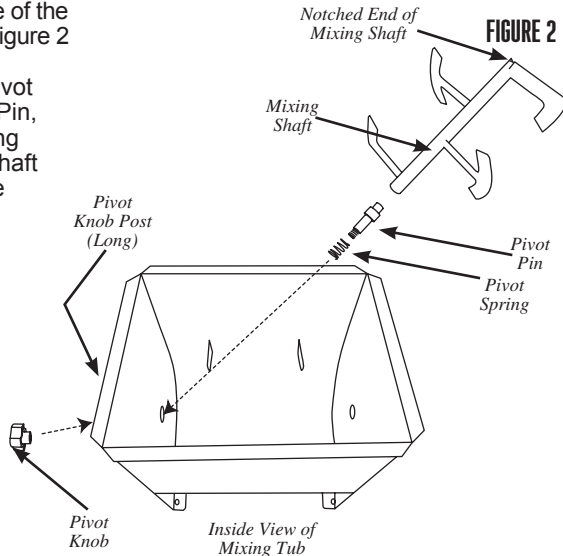
2. Place the Pivot Spring over the longer, threaded end of the Pivot Pin. **FIGURE 2**

3. From inside the Mixing Tub, insert the Pivot Pin & Spring through the hole in the left side of the Mixing Tub. **FIGURE 2**

4. Screw the Pivot Knob onto the Pivot Pin from the outside of the Mixing Tub until secure. figure 2

5. Pull out and hold the Pivot Knob to retract the Pivot Pin, making room for the Mixing Shaft. Hold the Mixing Shaft in the Mixing Tub with the flat end to the left and the notched end to the right. Align the Mixing Shaft with the retracted Pivot Pin. Slowly release the Pivot Knob to seat the Pivot Pin into the end of the Mixing Shaft.

FIGURE 2



6. Insert the short, round end of the Handle Pivot Pin into the Handle Post on the right side of the Mixing Tub. Connect the Handle Pivot Pin to the notched end of the Mixing Shaft. Make sure the flats on the Handle Pivot Pin fully engage the notch. **FIGURE 3**

7. Place the Handle over the exposed, tapered end of the Handle Pivot Pin. Line up the flat on the outside of the Handle Pivot Pin with the flat on the inside of the Handle. **FIGURE 3**

8. Insert the Handle Retaining Knob through the Handle and Handle Pivot Pin. Tighten the Knob to secure the Handle.

DO NOT over-tighten the Handle Retaining Knob to avoid excessive wear on the Handle Pivot Pin.

9. Install the Clear Lid (figure 4). DO NOT use the Meat Mixer without the Clear Lid in place. Severe injury could result!

FIGURE 3

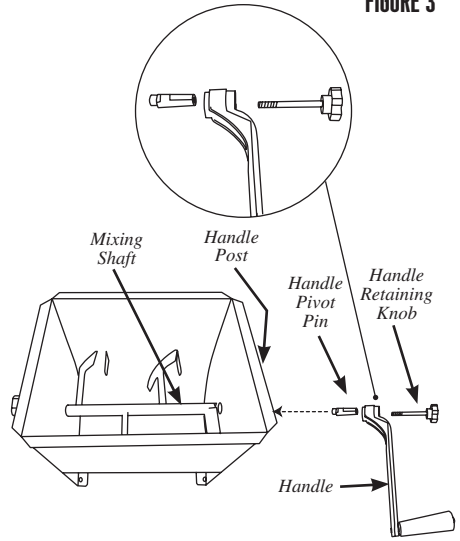
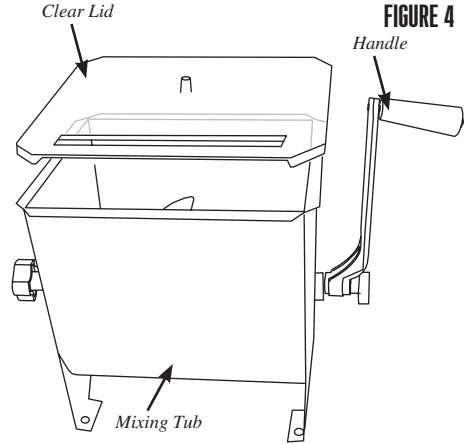


FIGURE 4



USING THE MEAT MIXER

1. Be sure to read and fully understand the General Safety Rules at the beginning of this manual before you start.
2. Place the Meat Mixer on a stable, level work surface. Allow ample room for the Handle to rotate.
3. Place ground meat into the Mixing Tub. Add seasonings, cure and water as necessary at this time.
4. Place the Clear Lid onto the Mixing Tub. **DO NOT** operate the Meat Mixer without the Clear Lid in place. Serious injury may result!
5. Turn the Handle clockwise to mix.
6. Mix until the meat feels sticky to the touch. Do not over-mix the meat. Remove the Clear Lid to test the consistency of the meat. **DO NOT** turn the Handle and **KEEP CLEAR** of the Mixing Shaft Paddles during this step. Replace the Clear Lid before you continue mixing.
7. When mixing is complete, remove the Handle, Clear Lid and Mixing Shaft before removing the meat.
8. Cook or refrigerate meat as soon as possible after mixing. **DO NOT** let meat sit out for an extended period of time. Follow the basic rules in the "Food Safety" section of this manual.

FOOD SAFETY

There are basic rules to follow when handling food. They are **COOK, SEPARATE, CLEAN, and CHILL.**

COOK

It's crucial to cook food to a safe internal temperature to destroy bacteria that is present. The safety of hamburgers and other foods made with ground meat has been receiving a lot of attention lately, and with good reason. When meat is ground, the bacteria present on the surface is mixed throughout the ground mixture. If this ground meat is not cooked to at least 160°F to 165°F (71°C to 74°C), bacteria will not be destroyed and there's a good chance you will get sick.

Solid pieces of meat like steaks and chops don't have dangerous bacteria like E. coli on the inside, so they can be served more rare. Still, any beef cut should be cooked to an internal temperature of at least 145°F (63°C) (medium rare). The safe temperature for poultry is 165°F (74°C) and solid cuts of pork should be cooked to 145°F (63°C).

SEPARATE

Foods that will be eaten uncooked and foods that will be cooked before eating **MUST ALWAYS** be separated. Cross-contamination occurs when raw meats or eggs come in contact with foods that will be eaten uncooked. This is a major source of food poisoning. Always double-wrap raw meats and place them on the lowest shelf in the refrigerator so there is no way juices can drip onto fresh produce. Then use the raw meats within 1-2 days of purchase, or freeze for longer storage. Defrost frozen meats in the refrigerator, not on the counter.

When grilling or cooking raw meats or fish, make sure to place the cooked meat on a clean platter. Don't use the same platter you used to carry the food out to the grill. Wash the utensils used in grilling after the food is turned for the last time on the grill, as well as spatulas and spoons used for stir-frying or turning meat as it cooks.

Make sure to wash your hands after handling raw meats or raw eggs. Washing hands with soap and water, or using a pre-moistened antibacterial towelette is absolutely necessary after you have touched raw meat or raw eggs. Not washing hands and surfaces while cooking is a major cause of cross-contamination.

CLEAN

Wash your hands and work surfaces frequently when you are cooking. Washing with soap and warm water for at least 15 seconds, then dry with a paper towel.

CHILL

Chilling food is very important. The danger zone where bacteria multiply is between 40°F and 140°F (4°C and 60°C). Your refrigerator should be set to 40°F (4°C) or below; your freezer should be 0°F (-18°C) or below. Simple rule: serve hot foods hot, cold foods cold. Use chafing dishes or hot plates to keep food hot while serving. Use ice water baths to keep cold foods cold. Never let any food sit at room temperature for more than 2 hours - 1 hour if the ambient temperature is 90°F (32°C) or above. When packing for a picnic, make sure the foods are already chilled when they go into the insulated hamper. The hamper won't chill food - it just keeps food cold when properly packed with ice. Hot cooked foods should be placed in shallow containers and immediately refrigerated so they cool rapidly. Make sure to cover foods after they are cool.

NOTE: Special considerations must be made when using venison or other wild game, since it can become heavily contaminated during field dressing. Venison is often held at temperatures that could potentially allow bacteria to grow, such as when it is being transported. Refer to the USDA Meat and Poultry Department for further questions or information on meat and food safety.




WESTON

ONE-YEAR LIMITED WARRANTY

This warranty applies to products purchased and used in the U.S. and Canada. This is the only express warranty for this product and is in lieu of any other warranty or condition.


This product is warranted to be free from defects in material and workmanship for a period of one (1) year from the date of original purchase. During this period, your exclusive remedy is repair or replacement of this product or any component found to be defective, at our option. If the product or component is no longer available, we will replace with a similar one of equal or greater value.

This warranty does not cover unauthorized repairs or service to products, products sold "as-is" by retailers, glass, filters, wear from normal use, use not in conformity with the printed directions, or damage to the product resulting from accident, alteration, abuse, or misuse. This warranty extends only to the original consumer purchaser or gift recipient and is not transferable. Keep the original sales receipt, as proof of purchase is required to make a warranty claim.

We exclude all claims for special, incidental and consequential damages caused by breach of express or implied warranty. All liability is limited to the amount of the purchase price. **Every implied warranty, including any statutory warranty or condition of merchantability or fitness for a particular purpose, is disclaimed except to the extent prohibited by law, in which case such warranty or condition is limited to the duration of this written warranty.**

This warranty gives you specific legal rights. You may have other legal rights that vary depending on where you live. Some states or provinces do not allow limitations on implied warranties or special, incidental, or consequential damages, so the foregoing limitations may not apply to you.

To make a warranty claim, do not return this appliance to the store. Please call 1.800.814.4895 (001.216.901.6801 outside the US) or visit WestonBrands.com. For faster service, locate the model, type, and series numbers on your appliance.





WESTON
RECONNECT WITH REAL FOOD

CAPACIDAD DE 20 LIBRAS DE ACERO INOXIDABLE
MEZCLADORA DE CARNE

DEBIDO A CONSTANTES MEJORAS EN LA FÁBRICA, EL PRODUCTO QUE SE MUESTRA PUEDE SER LIGERAMENTE DIFERENTE DEL PRODUCTO EN ESTA CAJA.

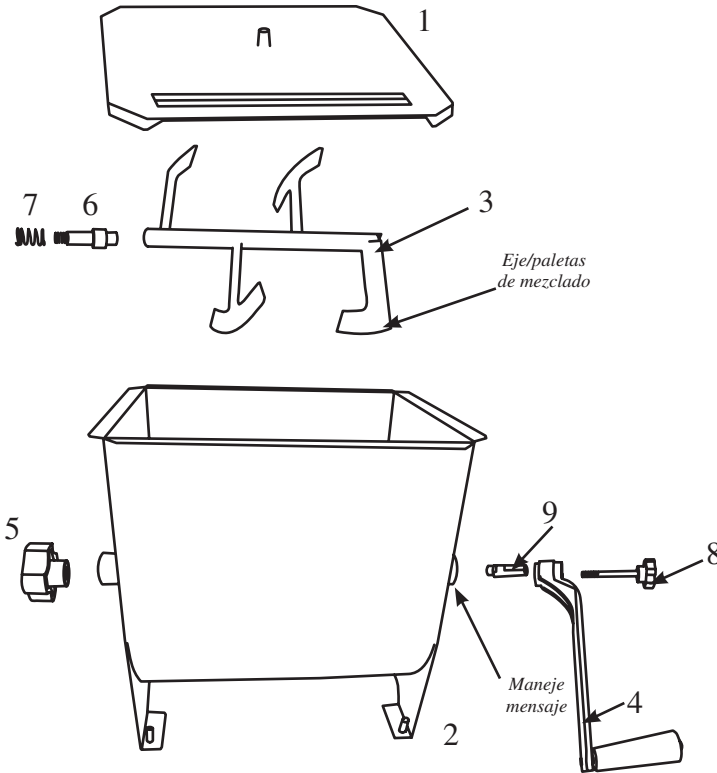
SALVAGUARDIAS IMPORTANTES

Cuando utilice artefactos eléctricos, siempre deben seguirse precauciones de seguridad básicas a fin de reducir el riesgo de incendio, descarga eléctrica, y/o lesiones a personas, incluyendo las siguientes:

1. Lea todas las instrucciones.
2. Este aparato no se destina para utilizarse por personas cuyas capacidades físicas, sensoriales o mentales sean diferentes o estén reducidas, o carezcan de experiencia o conocimiento, a menos que dichas personas reciban una supervisión o capacitación para el funcionamiento del aparato por una persona responsable de su seguridad.
3. Este electrodoméstico no debe ser utilizado por niños. Mantenga el electrodoméstico fuera del alcance de los niños.
4. Se requiere de una estrecha supervisión cuando el aparato se use por o cerca de niños. Los niños deben supervisarse para asegurar que ellos no empleen los aparatos como juguete.
5. Mantenga los dedos y las manos alejados del eje y las paletas de mezclado durante el uso. Nunca introduzca los dedos en la cubeta mezcladora mientras el eje y las paletas de mezclado están en movimiento. Se pueden producir lesiones graves.
6. Nunca use la mezcladora de carne sin colocar la tapa transparente en su lugar.
7. Siempre retire la manivela de la mezcladora de carne cuando no esté en uso.
8. Revise cuidadosamente la mezcladora de carne antes de cada uso. Si alguna pieza faltara, estuviera dañada o no funcionara correctamente, comuníquese con el servicio al cliente al número que figura al dorso de este manual.
9. No mezcle huesos ni ningún otro objeto duro que pueda dañar el eje de mezclado.
10. No use el aparato para otro propósito que no sea para el que fue hecho.
11. Use la mezcladora de carne únicamente sobre una superficie estable y nivelada. La mezcladora de carne no debe moverse ni desplazarse durante el uso.
12. Recójase el cabello y la ropa suelta, remánguese las mangas largas y quítense lazos y alhajas, incluso relojes, anillos y pulseras antes de utilizar la mezcladora.
13. Lave cuidadosamente todas las piezas de la mezcladora de carne que hagan contacto con los alimentos con agua jabonosa tibia antes y después de cada uso. Enjuague con agua limpia. Seque todas las piezas antes de volver a ensamblar y almacenar. La mezcladora de carne No es apta para el lavavajillas. Lo mejor es utilizar silicona en aerosol apta para uso alimentario para proteger todas las piezas de metal.

¡GUARDE ESTAS INSTRUCCIONES!

LISTA DE COMPONENTES



NÚMERO DE DIAGRAMA	DESCRIPCIÓN DE LA PIEZA
1	TAPA TRANSPARENTE
2	PIES DE GOMA (4)
3	EJE/PALETAS DE MEZCLADO
4	MANIVELA
5	PERILLA DEL PIVOTE
6	CLAVIJA DEL PIVOTE
7	RESORTE DEL PIVOTE
8	PERILLA DE RETENCIÓN DE LA MANIVELA
9	CLAVIJA DEL PIVOTE DE LA MANIVELA

Si cualquier componente de esta unidad está roto, si no funciona debidamente, o si necesita un instructivo de repuesto, visítenos en la Web en

WestonBrands.com

O llame a Weston Brands, LLC larga distancia sin costo 1-800-814-4895
De lunes a viernes, de 8:00 am a 5:00 pm tiempo del ET. Fuera de Estados Unidos llame
al 1-216-901-6801

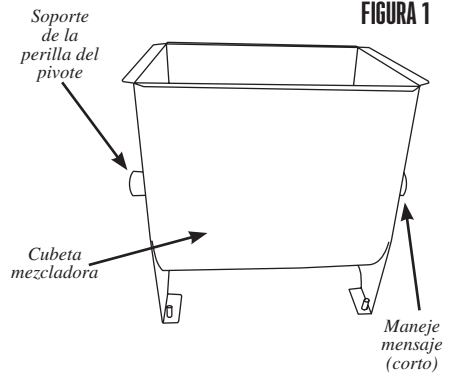
INSTRUCCIONES DE LIMPIEZA

1. Desarme la mezcladora de carne.
2. Lave cuidadosamente todas las piezas de la mezcladora de carne que hagan contacto con los alimentos con agua jabonosa tibia.
3. Enjuague con agua limpia.
4. Seque con cuidado todas las piezas. Cubra todas las piezas metálicas con silicona en aerosol apta para uso alimentario antes de volver a ensamblar y almacenar.

NOTA: La mezcladora de carne NO es apta para el lavavajillas.

INSTRUCCIONES DE MONTAJE

1. Coloque la cubeta mezcladora sobre una superficie nivelada y estable con el soporte de la perilla del pivote (extremo más largo) hacia su izquierda y el soporte de la manivela (extremo más corto) hacia su derecha. **FIGURA 1**

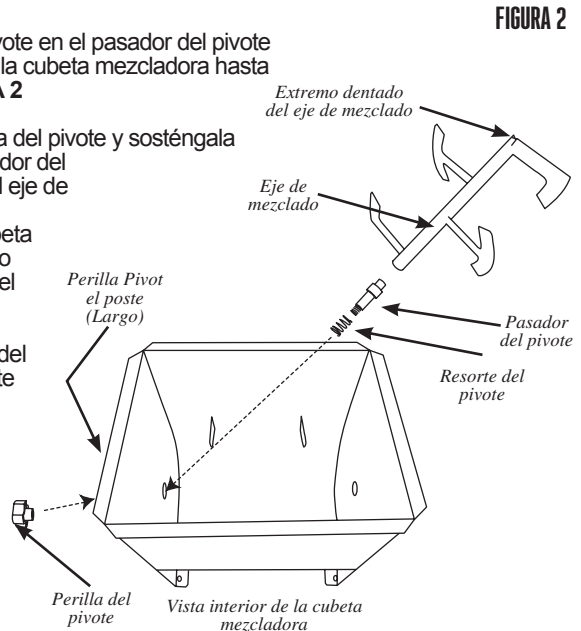


2. Coloque el resorte del pivote sobre el extremo roscado (el más largo) del pasador del pivote. **FIGURA 2**

3. Desde el interior de la cubeta mezcladora, introduzca el pasador y el resorte del pivote por el orificio del lado izquierdo de la cubeta mezcladora **FIGURA 2**

4. Atornille la perilla del pivote en el pasador del pivote desde la parte externa de la cubeta mezcladora hasta que quede firme. **FIGURA 2**

5. Tire hacia fuera la perilla del pivote y sosténgala para poder retraer el pasador del pivote y dejar lugar para el eje de mezclado. Sostenga el eje de mezclado en la cubeta mezcladora con el extremo plano hacia la izquierda y el extremo dentado hacia la derecha. Alinee el eje de mezclado con el pasador del pivote retraído. Lentamente libere la perilla del pivote para asentar el pasador del pivote en el extremo del eje de mezclado.



6. Introduzca el extremo corto y redondo del pasador del pivote de la manivela en el soporte de la manivela por el lado derecho de la cubeta mezcladora. Conecte el pasador del pivote de la manivela con el extremo dentado del eje de mezclado. Asegúrese de que las partes planas del pasador del pivote de la manivela se acoplen completamente a la muesca.

FIGURA 3

7. Coloque la manivela sobre el extremo cónico que sobresale del pasador del pivote de la manivela. Alinee la parte plana externa del pasador del pivote de la manivela con la parte plana interna de la manivel. **FIGURA 3**

8. Inserte la perilla de retención de la manivela a través de la manivela y el pasador del pivote de la manivela. Apriete la perilla para fijar la manivela.

NO ajuste en exceso la perilla de retención de la manivela para evitar el desgaste excesivo del pasador del pivote de la manivela.

9. Coloque la tapa transparente (**FIGURA 4**). NO use la mezcladora de carne sin colocar la tapa transparente en su lugar. ¡Se pueden producir lesiones graves!

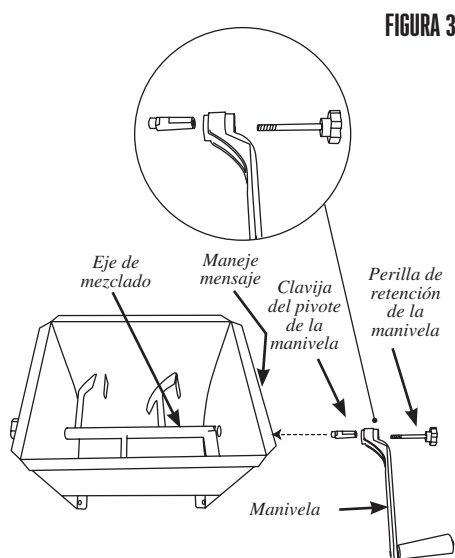


FIGURA 3

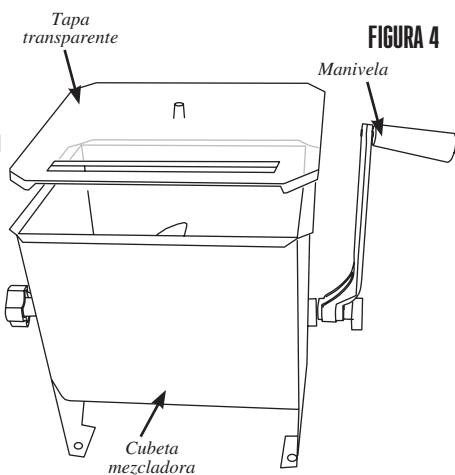


FIGURA 4

USANDO EL MEZCLADOR DE CARNE

1. Asegúrese de leer y comprender plenamente las Reglas Generales de Seguridad al principio de este manual antes de empezar.
2. Coloque el mezclador de la carne en una superficie de trabajo de nivel estable. Deje suficiente espacio para la manija para girar.
3. Coloque la carne molida en la tina de mezcla. Agregar los condimentos, curación y agua, según sea necesario en este momento.
4. Coloque la tapa transparente en la tina de mezcla. **NO** opere la carne Mezclador sin la tapa transparente en su lugar. Puede causar lesiones graves!
5. Gire la manija en sentido horario para mezclar.
6. Mezclar hasta que la carne se siente pegajosa al tacto. No sobre-mezclar la carne. Retire la tapa transparente para poner a prueba la consistencia de la carne. **NO** gire la manija y mantenerse separado de los eje de mezcla se bate durante este paso. Vuelva a colocar la tapa transparente antes de continuar mezcla.
7. Cuando se mezcla, retire el mango, tapa transparente y eje de mezcla antes de retirar la carne.
8. Cocine o refrigerar la carne lo más pronto posible después de la mezcla. **NO** permita que la carne sentarse durante un período prolongado de tiempo. Siga las reglas básicas en la sección "Seguridad Alimentaria" de este manual.

SEGURIDAD DE LOS ALIMENTOS

Hay que seguir ciertas reglas básicas al manejar alimentos.
Las reglas son **COCINAR, SEPARAR, LIMPIAR y ENFRIAR.**

COCINAR

Es muy importante cocinar los alimentos a una temperatura interna que destruya cualquier bacteria que esté presente. Últimamente se ha puesto mucha atención en la higiene de las hamburguesas y otros alimentos elaborados con carne molida y con razón. Cuando se muele la carne, las bacterias presentes en la superficie se revuelven en toda la mezcla de la carne molida. Si la carne molida no se cuece a por lo menos 71°C a 74°C (160°F - 165°F), no se destruyen las bacterias y hay una buena posibilidad de enfermarse.

Las piezas de carne sólida, como los filetes y las chuletas, no tienen en su interior bacterias peligrosas como le E. coli, por lo que pueden servirse menos cocidas. Aun así, cualquier corte de vacuno debe cocinarse a una temperatura interna de por lo menos 63°C (145°F) (medio cocido). La temperatura recomendable para las aves es de 74°C (165°F) y los cortes sólidos de carne de puerco deben cocinarse a 71°C (160°F).

SEPARAR

SIEMPRE DEBE separar los alimentos que se comen crudos y los que se vayan a cocer antes de comerse. La contaminación cruzada se presenta cuando la carne o los huevos crudos entran en contacto con alimentos que se van a consumir sin cocimiento. Ésta es una importante causa de intoxicaciones. Siempre use una doble envoltura para la carne cruda y colóquela en la repisa más baja del refrigerador, para que no haya manera de que su jugo gotee en las verduras frescas. Use la carne cruda 1 o 2 días después de comprarla, o congélela para guardarla más tiempo. Descongele la carne congelada en el refrigerador, no en el mesón de la cocina.

Cuando ase o cocine carne o pescado crudo, coloque la carne ya cocida en un platón limpio. No use el mismo platón que usó para llevar la carne al asador. Lave los utensilios usados en el asador después de haber volteado los alimentos por última vez, así como las cucharas y espátulas usadas para freír o para voltear la carne al estarla cocinando.

No olvide lavarse las manos después de manejar carne o huevos crudos. Es absolutamente necesario lavarse las manos con agua y jabón o usar una toallita húmeda antibacteriana después de tocar carne o huevos crudos. No lavarse las manos o las superficies cuando se cocina es una causa importante de contaminación cruzada.

LIMPIAR

Lávese las manos y las superficies de trabajo con frecuencia mientras esté cocinando. Lávese con agua tibia y jabón durante por lo menos 15 segundos; después séquese con una toalla de papel.

ENFRIAR

Es muy importante enfriar los alimentos. La zona de peligro para la multiplicación de bacterias está entre los 4 °C y 60 °C (40 °F - 140 °F). El refrigerador debe estar a 4 °C (40 °F) o menos; el congelador debe estar a -18 °C (0 °F) o menos. Regla básica: sirva calientes los alimentos calientes y sirva fríos los alimentos fríos. Use platos calientes para mantener caliente la comida a la hora de servirla. Use baños de agua con hielo para mantener fría la comida fría. Nunca deje ningún alimento a temperatura ambiente por más de 2 horas; o por más de 1 hora si la temperatura ambiente es de 32 °C (90 °F) o superior. Cuando empaque para un picnic, asegúrese de que la comida ya esté fría cuando la meta en la canasta aislada. La canasta no enfría la comida; sólo la mantiene fría si está debidamente empacada con hielo. Los alimentos cocidos calientes deben colocarse en recipientes bajos y refrigerarse de inmediato para que se enfríen rápidamente. No olvide cubrir los alimentos una vez que se enfríen..

NOTA: Debe tener especial consideración al usar venado y otra carne de caza, ya que puede contaminarse durante la preparación de campo. El venado suele mantenerse a temperaturas que podrían permitir el crecimiento de bacterias, como cuando se transporta. Consulte con el Departamento de Carnes y Aves de la USDA si tiene más preguntas o quiere más información sobre higiene de carne y alimentos.



Grupo HB PS, S.A. de C.V.
 Monte Elbruz No. 124 – 401
 Col. Polanco V Sección, Miguel Hidalgo
 Ciudad de México, C.P. 11560

GARANTÍA PARA PRODUCTOS COMPRADOS EN MÉXICO		
PRODUCTO:	MARCA:	MODELO:
<p>Grupo HB PS, S.A. de C.V. cuenta con Centros de Servicio autorizados. Por favor consulte en la lista anexa el nombre y dirección de los establecimientos en la República Mexicana en dónde usted podrá hacer efectiva la garantía, obtener partes, componentes, consumibles y accesorios; así como también obtener servicio para productos fuera de garantía. Para mayor información llame al: Centro de Atención al Consumidor: 800 95 30 121</p>		
<p>Grupo HB PS, S.A. de C.V. le otorga a partir de la fecha de compra: GARANTÍA DE 1 AÑO.</p>		
COBERTURA		
<ul style="list-style-type: none"> Esta garantía ampara, todas las piezas y componentes del producto que resulten con defecto de fabricación incluyendo la mano de obra. Grupo HB PS, S.A. de C.V. se obliga a reemplazar, reparar o reponer, cualquier pieza o componente defectuoso; proporcionar la mano de obra necesaria para su diagnóstico y reparación, todo lo anterior sin costo adicional para el consumidor. Esta garantía incluye los gastos de transportación del producto que deriven de su cumplimiento dentro de su red de servicio. 		
LIMITACIONES		
<ul style="list-style-type: none"> Esta garantía no ampara el reemplazo de piezas deterioradas por uso o por desgaste normal, como son: cuchillas, vasos, jarras, filtros, etc. Grupo HB PS, S.A. de C.V. no se hace responsable por los accidentes producidos a consecuencia de una instalación eléctrica defectuosa, ausencia de toma de tierra, clavija o enchufe en mal estado, etc. 		
EXCEPCIONES		
<p>Esta garantía no será efectiva en los siguientes casos:</p> <p>a) Cuando el producto se hubiese utilizado en condiciones distintas a las normales. (Uso industrial, semi-industrial o comercial.)</p> <p>b) Cuando el producto no hubiese sido operado de acuerdo con el instructivo de uso.</p> <p>c) Cuando el producto hubiese sido alterado o reparado por personas no autorizadas por Grupo HB PS, S.A. de C.V. el fabricante nacional, importador o comercializador responsable respectivo.</p> <p>El consumidor puede solicitar que se haga efectiva la garantía ante la propia casa comercial donde adquirió su producto, siempre y cuando Grupo HB PS, S.A. de C.V. no cuente con talleres de servicio.</p>		
PROCEDIMIENTO PARA HACER EFECTIVA LA GARANTÍA		
<ul style="list-style-type: none"> Para hacer efectiva la garantía, lleve su aparato al Centro de Servicio Autorizado más cercano a su domicilio (consulte la lista anexa). Si no existe Centro de Servicio Autorizado en su localidad llame a nuestro Centro de Atención al Consumidor para recibir instrucciones de cómo hacer efectiva su garantía. 		

FECHA DE ENTREGA	SELLO DEL VENDEDOR	QUEJAS Y SUGERENCIAS
DÍA ___ MES ___ AÑO ___		<ul style="list-style-type: none"> Si desea hacer comentarios o sugerencias con respecto a nuestro servicio o tiene alguna queja derivada de la atención recibida en alguno de nuestros Centros de Servicio Autorizados, por favor dirigirse a: GERENCIA INTERNACIONAL DE SERVICIO - 800 95 30 121 Email: mexico.service@WestonBrands.com

CENTROS DE SERVICIO AUTORIZADOS	
<p>Ciudad de México ELECTRODOMÉSTICOS Av. Plutarco Elias Calles No. 1499 Zacahuiztco, Benito Juárez, Ciudad de México, C.P. 09490 Tel: 55 5235 2323</p>	<p>Nuevo León FERNANDO SEPÚLVEDA REFACCIONES Ruperto Martínez No. 238 Ote. Col. Centro, Monterrey, N.L., C.P. 64000 Tel: 81 8343 6700</p>
<p>CASA GARCÍA Av. Patriotismo No. 875-B Mixcoac, Benito Juárez, Ciudad de México, C.P. 03910 Tel: 55 5563 8723</p>	<p>Jalisco SERVICIOS DE MANTENIMIENTO CASTILLO Garibaldi No. 1450 Ladrón de Guevara, Guadalajara, Jalisco, C.P. 44660 Tel: 33 3825 3480</p>



WESTON
RECONNECT WITH REAL FOOD

MANUEL EN ACIER INOXYDABLE CAPACITÉ DE 9 KG

MÉLANGEUR DE VIANDE

PARCE QUE NOS PRODUITS BÉNÉFICIENT DE PERFECTIONNEMENTS CONSTANTS APPORTÉS EN USINE, LES ILLUSTRATIONS PRÉSENTES PEUVENT ÊTRE LÉGÈREMENT DIFFÉRENTES DU PRODUIT REÇU.

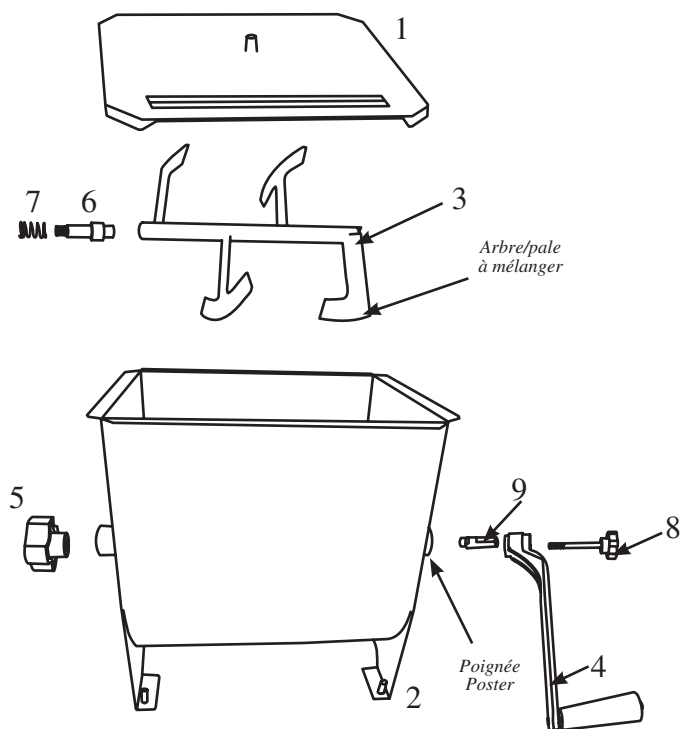
PRÉCAUTIONS IMPORTANTES

Pour utiliser un appareil électroménager, vous devez toujours prendre des mesures élémentaires de sécurité pour réduire le risque d'incendie, d'électrocution et/ou de blessure corporelle, en particulier les mesures suivantes:

1. Lire toutes les instructions.
2. Cet appareil n'est pas destiné à être utilisé par des personnes dont les capacités physiques, sensorielles ou mentales sont réduites, ou manquant d'expérience et de connaissance, sauf si elles sont étroitement surveillées et instruites sur l'utilisation de l'appareil par une personne responsable de leur sécurité.
3. Cet appareil ne devrait pas être utilisé par des enfants. Garder l'appareil hors de la portée des enfants.
4. Une surveillance étroite est requise pour tout appareil utilisé près des enfants. Surveiller que les enfants ne jouent pas avec l'appareil.
5. Gardez toujours les doigts et les mains loin de l'arbre et des pales à mélanger lorsque l'appareil est en marche. NE mettez JAMAIS les mains dans la cuve à mélange lorsque l'arbre et les pales à mélanger sont en mouvement. De graves blessures pourraient s'en suivre.
6. N'utilisez jamais le mélangeur de viande sans le couvercle transparent fermé.
7. Enlevez toujours la poignée du mélangeur de viande lorsqu'il n'est pas en cours d'utilisation.
8. Inspectez le mélangeur de viande en entier avant chaque utilisation. Si des pièces sont manquantes, endommagées ou défectueuses, communiquez avec le service à la clientèle au numéro situé au verso de ce manuel.
9. No mélangez pas des os ou d'autres objets durs qui pourraient endommager l'arbre à mélanger.
10. N'utiliser cet appareil que pour les fonctions auxquelles il est destiné.
11. Utilisez le mélangeur de viande seulement sur une surface stable et plane. Le mélangeur de viande ne devrait pas bouger ou se déplacer lorsqu'il est en marche.
12. Attachez les cheveux et les vêtements amples, roulez les manches longues et enlevez la cravate, les bijoux tels que les montres, les bagues et les bracelets avant d'utiliser le mélangeur de viande.
13. Nettoyez à fond toutes les pièces du mélangeur de viande qui ont été en contact avec des aliments avec de l'eau chaude savonneuse avant et après chaque utilisation. Rincez-les avec de l'eau claire. Séchez toutes les pièces avant de remonter et de ranger le mélangeur. Le mélangeur de viande n'est pas lavable au lave-vaisselle. L'idéal est de vaporiser toutes les pièces de métal avec un vaporisateur de silicone de qualité alimentaire.

CONSERVER CES DIRECTIVES!

DESCRIPTION DE LA PIÈCE



NUMÉRO DE SCHÉMA	DESCRIPTION DE LA PIÈCE
1	COUVERCLE TRANSPARENT
2	PIEDS EN CAOUTCHOUC (4)
3	ARBRE/PALE À MÉLANGER
4	POIGNÉE
5	BOUTON PIVOT
6	CLAVIJA DEL PIVOTE
7	PIVOT À RESSORT
8	BOUTON DE FIXATION DE LA POIGNÉE
9	PIVOT DE LA POIGNÉE

N'hésitez pas à visiter notre site [Web WestonBrands.com/support](http://WebWestonBrands.com/support) si un composant est cassé, l'outil fonctionne mal, ou pour commander un nouveau mode d'emploi.

WestonBrands.com

Veillez appeler Weston Brands, LLC au numéro sans frais : 1-800-814-4895

Du lundi au vendredi: de 8h00 à 17h00 ET. En dehors des États-Unis, veuillez appeler le 1-216-901-6801

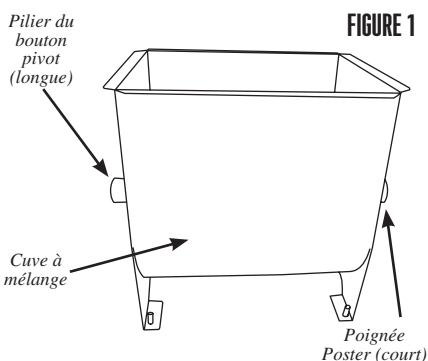
INSTRUCTIONS DE NETTOYAGE

1. Démontez le mélangeur de viande.
2. Nettoyez à fond toutes les pièces du mélangeur de viande qui ont été en contact avec des aliments dans de l'eau chaude savonneuse.
3. Rincez-les avec de l'eau claire.
4. Séchez bien toutes les pièces. Vaporisez toutes les pièces de métal avec un vaporisateur de silicone de qualité alimentaire avant de remonter et de ranger l'appareil.

REMARQUE : Le mélangeur de viande N'est PAS lavable au lave-vaisselle.

INSTRUCTIONS DE MONTAGE

1. Placez la cuve à mélange sur une surface stable et plane. Ayez le pilier du bouton pivot (le plus long) à votre gauche et le pilier de la poignée (le pilier le plus court) à votre droite. **FIGURE 1**

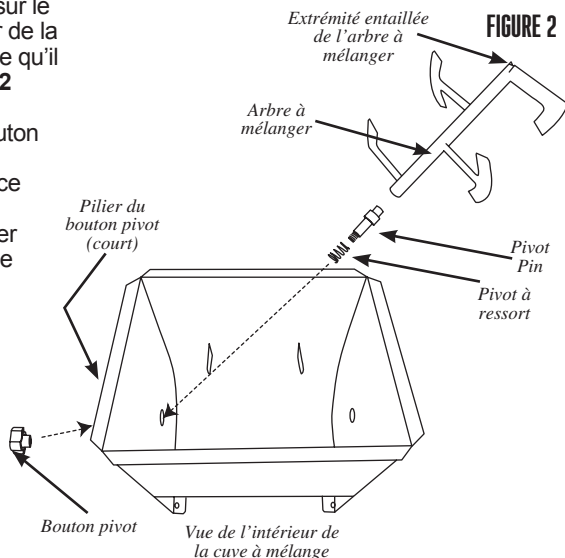


2. Placez le pivot à ressort sur la partie filetée la plus longue du pivot. **FIGURE 2**

3. Par l'intérieur de la cuve à mélange, insérez le pivot et le ressort par le trou du côté gauche de la cuve à mélange. **FIGURE 2**

4. Vissez le bouton pivot sur le pivot à partir de l'extérieur de la cuve à mélange jusqu'à ce qu'il soit bien ajusté. **FIGURE 2**

5. Tirez en retenant le bouton pivot pour que le pivot se rétracte et fasse de la place pour l'arbre à mélanger. Retenez l'arbre à mélanger dans la cuve à mélange, le côté plat vers la gauche et le côté entaillé vers la droite. Alignez l'arbre à mélanger avec le pivot rétracté. Relâchez lentement le bouton pivot pour mettre en place le pivot à l'extrémité de l'arbre à mélanger.



6. Insérez l'extrémité courte et arrondie du pivot de la poignée dans le pilier de la poignée du côté droit de la cuve à mélange. Joignez le pivot de la poignée à l'extrémité entaillée de l'arbre à mélanger. Assurez-vous que les côtés plats du pivot de la poignée sont bien joints à l'entaille. **FIGURE 3**

7. Placez la poignée sur l'extrémité exposée et effilée du pivot de la poignée. Alignez le côté plat sur le côté extérieur du pivot de la poignée en gardant le côté plat à l'intérieur de la poignée. **FIGURE 2**

8. Insérez le bouton de fixation de la poignée dans la poignée et dans le pivot de la poignée. Resserrez le bouton pour fixer la poignée.

NE PAS trop serrer le bouton de fixation de la poignée afin d'éviter l'usure excessive du pivot de la poignée.

9. Installez le couvercle transparent (**FIGURE 4**). N'utilisez PAS le mélangeur de viandes sans le couvercle transparent fermé. De graves blessures pourraient s'en suivre!

FIGURE 3

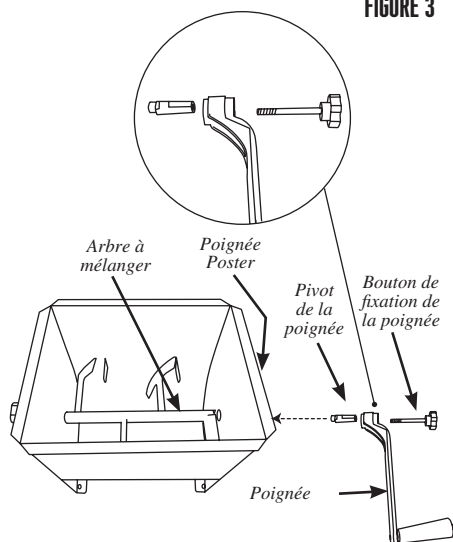
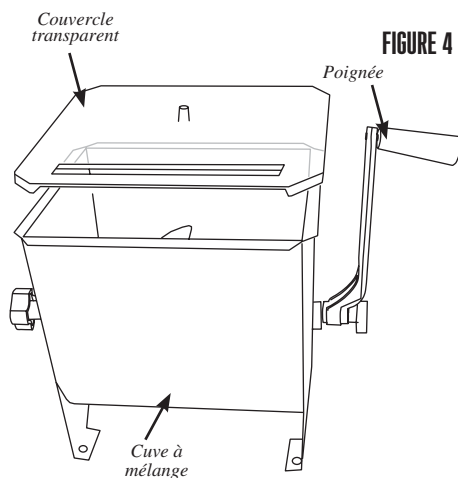


FIGURE 4



VOUS UTILISEZ LA CONSOLE DE VIANDE

1. Assurez-vous de lire et de comprendre les règles de sécurité générales au début de ce manuel avant de commencer.

2. Placez le Mixer la viande sur une surface stable, le travail de niveau. Prévoyez suffisamment de place pour la poignée de tourner.

Viande hachée 3. Placez dans la cuve de mélange. Ajouter les assaisonnements, la guérison et de l'eau nécessaire à ce moment.

4. Placer le couvercle transparent sur la cuve de mélange. **NE PAS** utiliser la viande Mixer sans le couvercle transparent en place. Risque de blessures graves!

5. Tourner la poignée dans le sens horaire pour mélanger.

6. Mélanger jusqu'à ce que la viande se sent collant au toucher. Ne pas trop mélanger la viande. Retirez le couvercle transparent pour tester la consistance de la viande. **NE PAS** tourner la poignée et tenir dans la Pagaies arbre de mélange lors de cette étape. Remplacez le couvercle transparent avant de continuer mélange.

7. Lorsque le mélange est terminée, retirez la poignée, couvercle transparent et arbre de mélange avant de retirer la viande.

8. Cuire ou réfrigérer la viande dès que possible après le mélange. **NE PAS** laisser la viande asseoir pendant une longue période de temps. Suivez les règles de base dans la section "Sécurité alimentaire" de ce manuel.

SÉCURITÉ ALIMENTAIRE

Il y a des règles fondamentales à suivre lors de la manipulation d'aliments. Elles sont **CUIRE, SÉPARER, NETTOYER, et REFROIDIR RAPIDEMENT.**

CUIRE

Il est crucial de cuire les aliments à une température interne sûre pour détruire les bactéries qui sont présentes. La sécurité des hamburgers et autres aliments faits avec de la viande hachée a reçu dernièrement beaucoup d'attention, et pour une bonne raison. Quand la viande est hachée, les bactéries présentes sur la surface sont mélangées dans l'ensemble du mélange haché. Si cette viande hachée n'est pas cuite jusqu'à au moins 71oC à 74oC (160oF à 165oF), les bactéries ne seront pas détruites et il y a une forte chance que cela vous rendra malade.

Des morceaux solides de viande comme des steaks et côtelettes n'ont pas de bactéries dangereuses comme E. coli à l'intérieur, donc ils peuvent être servis plus saignants. Quand même, tout morceau de bœuf doit être cuit à une température interne d'au moins 63oC (145oF) (mi-saignant). La température sûre pour la volaille est 74oC (165oF) et les morceaux de viande entier de porc doivent être cuits à 71oC (160oF).

SÉPARER

Les aliments qui seront mangés crus et les aliments qui seront cuits avant d'être mangés DOIVENT TOUJOURS être séparés. La contamination croisée se produit quand des viandes crues ou des œufs viennent en contact avec des aliments qui seront mangés crus. Ceci est une source principale d'intoxication alimentaire. Enveloppez toujours deux fois les viandes crues et placez-les sur l'étagère la plus basse dans le réfrigérateur de manière qu'aucun jus ne puisse goutter sur les fruits et légumes crus. Puis utilisez les viandes crues entre 1 et 2 jours après l'achat, ou congelez-les pour les conserver plus longtemps. Décongelez les viandes congelées dans le réfrigérateur, pas sur le comptoir.

Quand vous grillez ou cuisez des viandes ou des poissons crus, assurez-vous de mettre la viande cuite sur un plat propre. N'utilisez pas le même plat que vous avez utilisé pour transporter les aliments avant de les mettre sur le grill. Lavez les ustensiles utilisés pour griller après que les aliments sont tournés pour la dernière fois sur le grill, aussi bien que les spatules et cuillers utilisées pour faire sauter à feu vif en remuant ou pour tourner la viande au fur et à mesure qu'elle cuit.

Assurez-vous de bien laver vos mains après avoir manipulé des viandes crues ou des œufs crus. Se laver les mains avec du savon et de l'eau, ou utiliser une lingette antibactérienne pré-humidifiée est absolument nécessaire après avoir touché de la viande crue ou des œufs crus. Ne pas se laver les mains et les surfaces pendant la cuisine est une cause majeure de contamination croisée.

NETTOYER

Lavez fréquemment vos mains et les surfaces de travail lorsque vous cuisinez. Lavez avec du savon et de l'eau chaude pendant au moins 15 seconds, puis séchez avec une serviette en papier.

REFROIDIR RAPIDEMENT

La réfrigération rapide des aliments est très importante. La zone de danger où les bactéries se multiplient est entre 4oC et 60oC (40oF et 140oF). Votre réfrigérateur doit être réglé à 4oC (40oF) ou en-dessous; votre congélateur doit être à -18oC (0oF) ou en-dessous. Une règle simple : servir chaud les aliments chauds, servir froid les aliments froids. Utilisez des réchauds ou plaques chauffantes pour garder les aliments chauds pendant le service. Utilisez des bains d'eau glacée pour garder au froid les aliments froids. Ne jamais laisser des aliments à la température ambiante pendant plus de deux (2) heures - 1 heure si la température ambiante est 32oC (90oF) ou au-dessus. Lorsque vous emballez les aliments pour un pique-nique, assurez-vous que les aliments sont déjà refroidis rapidement lorsqu'ils sont mis dans le panier à pique-nique isotherme. Le panier à pique-nique ne refroidira pas les aliments - il garde simplement les aliments froids lorsqu'il est emballé correctement avec de la glace. Les aliments cuits chauds doivent être placés dans des conteneurs peu profonds et immédiatement réfrigérés pour qu'ils se refroidissent rapidement. Assurez-vous de bien couvrir les aliments après qu'ils sont froids.

REMARQUE : Des considérations particulières doivent être prises lors de l'utilisation de venaison ou d'autre gibier sauvage, puisqu'ils peuvent devenir très contaminés durant l'opération de dépouille. La venaison est souvent gardée à des températures qui pourraient potentiellement permettre la croissance de bactéries, tel que lorsque celle-ci est transportée. Se référer au Département de la viande et de la volaille de l'USDA (USDA Meat and Poultry Department) pour d'autres questions ou informations sur la sécurité de la viande et des aliments.



**WESTON**

GARANTIE LIMITÉE D'UN AN

Cette garantie s'applique aux produits achetés et utilisés aux États-Unis et au Canada. Il s'agit de l'unique garantie explicite pour ce produit et elle remplace toute autre garantie ou condition.

Ce produit est garanti comme étant exempt de tout vice matériel ou de main-d'œuvre pendant une période d'un (1) an à partir de la date d'achat initiale. Pendant cette période, votre seul recours consiste en la réparation ou au remplacement de ce produit ou de tout composant trouvé défectueux, à notre discrétion. Si le produit ou composant n'est plus disponible, nous le remplacerons par un produit similaire de valeur égale ou supérieure.

Cette garantie ne couvre pas les réparations ou l'entretien non autorisés des produits, les produits vendus « tels quels » par les détaillants, le verre, les filtres, l'usure découlant d'un usage normal, un usage non conforme aux instructions imprimées ou des dommages au produit découlant d'un accident, d'une modification, d'un abus ou d'une utilisation inadéquate. Cette garantie s'applique uniquement à l'acheteur d'origine ou au bénéficiaire d'un cadeau et elle est non transférable. Conserver le reçu d'achat original, car il est nécessaire pour effectuer une réclamation sous garantie.

Nous excluons toutes les réclamations pour des dommages particuliers, accessoires et indirects causés par une violation d'une garantie explicite ou implicite. Toute responsabilité se limite à la somme du prix d'achat. **Toute garantie implicite, y compris toute garantie légale ou condition de qualité marchande ou de conformité à un usage particulier, est déclinée sauf dans la mesure où la loi l'interdit; dans ce cas, une telle garantie ou condition se limite à la durée de cette garantie écrite.**

Cette garantie vous donne des droits légaux spécifiques. Vous pouvez bénéficier d'autres droits reconnus par la loi variant selon l'endroit où vous habitez. Certains états ou certaines provinces ne permettent pas les limitations sur les garanties implicites ou les dommages particuliers, accessoires ou indirects, il est donc possible que les limitations précédentes ne s'appliquent pas à vous.

Ne pas retourner cet appareil au magasin lors d'une réclamation au titre de cette garantie. Téléphoner au 1.800.814.4895 (001.216.901.6801 hors des États-Unis ou visiter WestonBrands.com. Pour un service plus rapide, trouvez le numéro de modèle, le type d'appareil et les numéros de série sur votre appareil.

ATTENTION!

PLEASE INSPECT THIS PACKAGE THOROUGHLY FOR MISSING PARTS OR ANY PRODUCT DAMAGE. IF YOUR PRODUCT CONTAINS SHIPPING DAMAGE, PLEASE CONTACT RETAILER FOR ASSISTANCE.

For all other questions regarding product usage, missing parts, product damage, difficulty or warranty activation, please contact the Weston Brands Customer Service Team:
8:00 am to 5:00 pm ET, Monday thru Friday

Customer.Service@WestonBrands.com
U.S. Residents Customer Service Line: 1-800-814-4895 (Outside U.S. Call: 001-216-901-6801)
Weston Brands, LLC, Southern Pines, NC 28387
WestonBrands.com

Please DO NOT return this item to the retailer before contacting
Weston Brands Customer Service.

SAVE THESE INSTRUCTIONS!

Refer to them often and use them to instruct others.

ATTENTION!

VEUILLEZ INSPECTER CET EMBALLAGE AVEC SOIN POUR Y DÉTECTER
TOUTE PIÈCE MANQUANTE OU ENDOMMAGÉE.
SI DES PIÈCES ONT ÉTÉ ENDOMMAGÉES PENDANT LE TRANSPORT, VEUILLEZ
COMMUNIQUER AVEC LE DÉTAILLANT POUR OBTENIR DE L'AIDE.

Pour toutes les autres questions concernant l'utilisation du produit, les pièces manquantes, les problèmes ou l'activation de la garantie, veuillez communiquer avec l'équipe du service clientèle des produits Weston:
de 8:00 à 17:00 HNE, du lundi au vendredi.

Customer.Service@WestonBrands.com
Numéro de téléphone du service clientèle pour les résidents des É.-U. : 1-800-814-4895
Numéro de téléphone à l'extérieur des É.-U. : 001-216-901-6801 Weston Brands, LLC,
Weston Brands, LLC, Southern Pines, NC 28387
WestonBrands.com

Veillez communiquer avec le service clientèle des produits Weston AVANT de retourner
cet appareil au détaillant.

CONSERVER CES DIRECTIVES!

Veillez les consulter fréquemment et les utiliser pour la formation.

¡ATENCIÓN!

REVISE COMPLETAMENTE EL ENVASE Y COMPRUEBE QUE NO FALTEN PARTES O QUE ALGÚN
PRODUCTO ESTÉ DAÑADO. SI EL PRODUCTO ESTÁ DAÑADO POR EL TRANSPORTE, SOLICITE
ASISTENCIA AL DISTRIBUIDOR.

Para todas aquellas preguntas referentes al uso del producto, partes faltantes, daño del producto, dificultad o activación de la garantía, comuníquese con el equipo de servicio al cliente de weston Brands:
desde las 8:00 am hasta las 5:00 pm ET, de lunes a viernes

Customer.Service@WestonBrands.com
Línea de Servicio al Cliente para Residentes de EE.UU.: 1.800.814.4895 (Fuera de EE.UU., llame al: 001-216-901-6801) Weston Brands, LLC, Southern Pines, NC 28387
WestonBrands.com

NO devuelva este artículo al vendedor minorista antes de comunicarse con Servicio al Cliente de
Weston Brands.

¡GUARDE ESTAS INSTRUCCIONES!

Consulte estas instrucciones y úselas para enseñar sobre el uso de este producto a otras personas.